

AN ALL-WEATHER FIELD ACCESS SOLUTION

TRACK SYSTEMS YOU CAN COUNT ON



S-TECH 7016
Track Systems for Self-Propelled Sprayers

Soucy 

TRACK SYSTEMS FOR SELF-PROPELLED SPRAYERS

You can't always wait for the weather to cooperate when you need to spray your fields. With our S-TECH 7016 track system, you can stick to your spraying schedule, whatever the soil conditions.

The tight spraying window means every day counts. Despite windy weather or accumulating rainfall causing soil conditions to worsen, you'll enjoy greater freedom to work when using a track system. The S-TECH 7016 lets you get your work done even if perfect conditions just won't materialize.



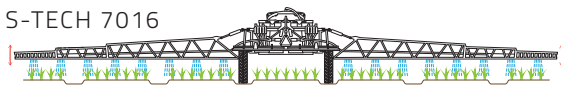
ALWAYS HAVE ACCESS TO YOUR FIELDS

The S-TECH 7016 boasts a contact surface of 1,136 in² (0.73 m²) per axle. With the improved traction and flotation, you'll have access to your fields even when soil is soft and soggy.

SPRAYING WORK IS MAXIMIZED

Using a track system significantly increases spraying boom stability. As a result, it can be lowered closer to the plants for improved spray coverage. This translates into less drift, which in turn means considerably reduced chemical losses during spraying.

S-TECH 7016



Wheels



PROTECTION FOR GROWING PLANTS

The S-TECH 7016 raises the self-propelled sprayer's ground clearance by 6 in (152 mm) compared to tires. As a result, you can drive about with confidence without damaging valuable plants. When it comes to corn crops, this is a major improvement that offers you a larger window of opportunity.

EASY AND PRECISE HANDLING

The narrow 16 in (406 mm) tracks on the S-TECH 7016 make operating the self-propelled sprayer easy and precise.

MINIMAL MAINTENANCE

Oil bath hubs mean servicing is only needed every 250 hours, or once a year. After each use, you'll also see cleaning is quick and easy.

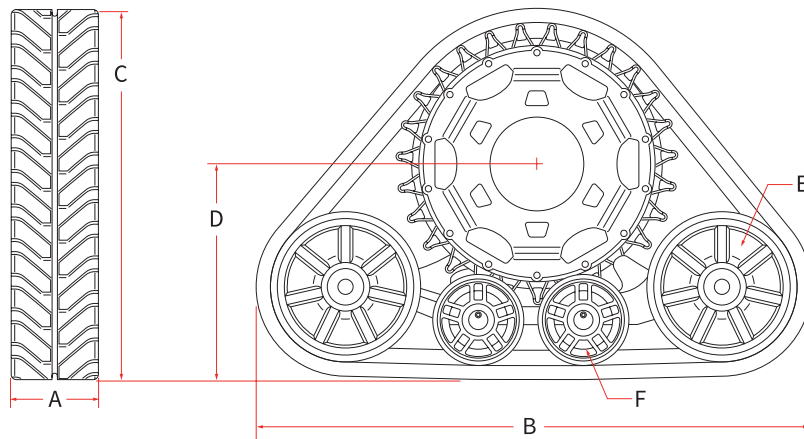
TECHNICAL SPECIFICATIONS

SPRAYER



S-TECH 7016

A	16 in 406 mm
B	103.9 in 2,639 mm
C	69.5 in 1,765 mm
D	40.5 in 1,029 mm
E	28 in 711 mm
F	17 in 432 mm
Total ground contact area	Per kit of 2 tracks 2,261 in ² 1.46 m ² Per kit of 4 tracks 4,522 in ² 2.92 m ²



Visit soucy-track.com for all of our track systems' vehicle compatibility details.



SUPER AGILE SALES NETWORK TO SERVE YOU QUICKLY AND EFFICIENTLY

Our extensive network of trusted dealers and distributors makes it possible to better serve farmers all around the world.

Our priority: to provide a simple and flexible solution allowing you to get out into the fields at the right time, with a tool you can trust.

To see all our points of sale or for further information, go to **soucy-track.com**.

Toll-Free
(Canada/United States)
1 877 474-6665

International
1 800 9118-7225

Email
soucy.track@soucy-group.com

