

Soucy 

S-TECH 990

PROTECT YOUR SOIL
WITH OUR LATEST
TRAILER TRACK SYSTEM

Your
off-road
partner.





TRACK SYSTEMS FOR TRAILERS

VERSATILITY, FLOTATION AND STABILITY

Our new trailer track system has been redesigned in collaboration with our users to be easier than ever to use so you can optimize your time in the field. The S-TECH 990 places less rolling resistance on the vehicle thanks to improved weight distribution over a larger ground contact area. At 36 in (914 mm) wide, the track ensures optimal flotation ideal for soft soils. Perfect for farmers looking for a hassle-free track system for their trailers.

Dynamic tensioner

The spring tension system clears debris out continuously. The spring contained in the wheel counteracts compression to expel debris as the track system rotates, and without slowing it down.

Annual maintenance

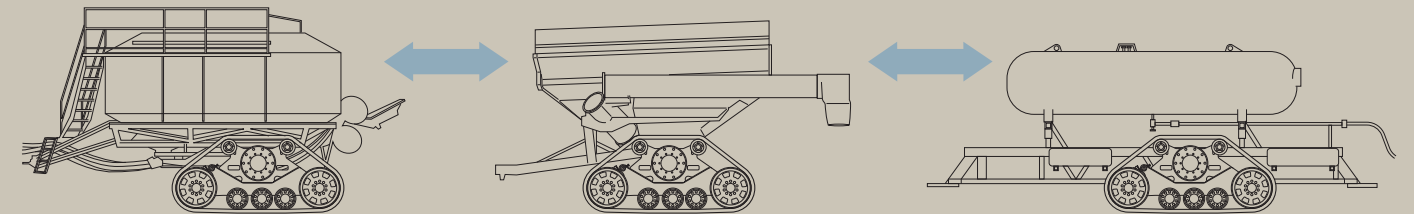
The new S-TECH 990 track system requires no daily maintenance. You only need to change oil in hubs every season. No need to worry about greasing the axles every week – and that means more time to spend on the jobs that really matter.

Narrow profile

The S-TECH 990 track system is narrower than the dual wheels typically used on a trailer. At just 36 in (914.4 mm) wide, versus dual-wheel systems which can be as wide as 55 in (1,397 mm), the S-TECH 990 lets you get considerably closer to trucks for easier unloading. Road transport is also safer thanks to a narrow width.

Versatility

The bolt-on design allows easy installation on a wide range of trailers and implements, from an air seeder in the spring to a grain cart in the fall.



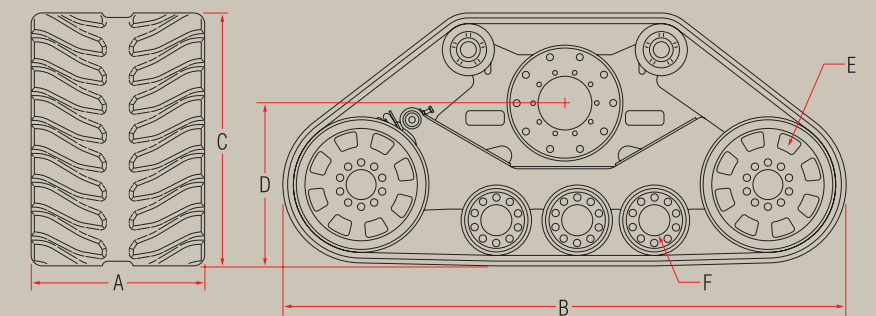
COMPATIBLE HUB SIZES

Number of bolts	Pilot diameter	Bolt circle diameter
10	8.66 in (220 mm)	11.25 in (285 mm)
10	11.05 in (281 mm)	13.19 in (335 mm)
20	17.62 in (452.6 mm)	20.125 in (511 mm)



TECHNICAL SPECIFICATIONS

A	36 in (914 mm)
B	116.9 in (2,969 mm)
C	52.4 in (1,331 mm)
D	33.7 in (856 mm)
E	28 in (711 mm)
F	14.5 in (368 mm)



Totale ground contact area per kit of 2 tracks:
6,084 in² (3.93 m²)

Maximum load capacity: 90,000 lb (41,000 kg)
Minimum spindle diameter: 4.5 in (114 mm)

Let's start
the fieldwork
together.

soucy-track.com



Contact Us
Toll-Free (Canada/United States)
1 855 5TRACKS (1 855 587-2257)

service@soucy-track.com

V02 – EN – 2026/01
The information contained in this document may change without notice.
Printed in Canada
Soucy is registered trademark of Soucy.

Soucy 